

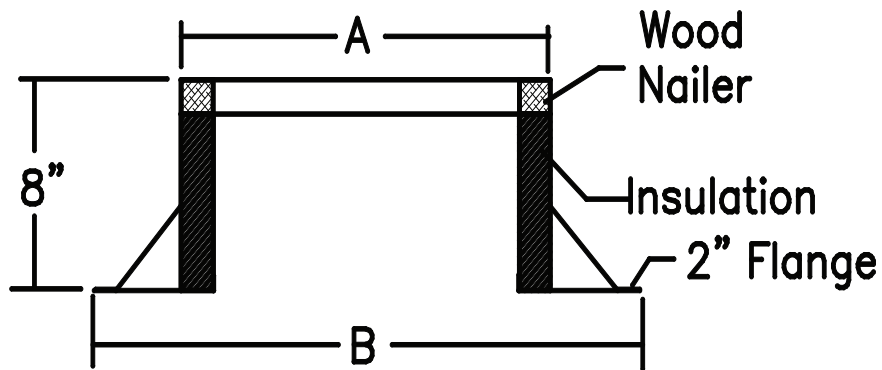
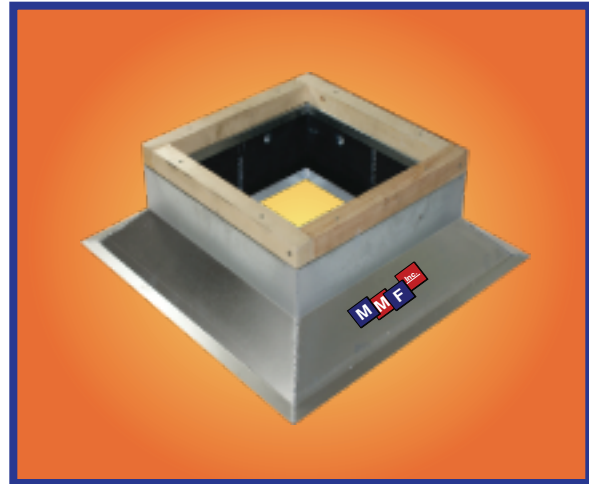
MODULAR METAL FABRICATORS INC.

PRODUCT SPECIFICATIONS

Canted Curbs

DESCRIPTION

- Galvanized Steel Construction
- Self Flashing Design
- Insulated
- Wood Nailer



PART NUMBER	MODEL	A	B
SDFCCM1708	UCG8-17	17	25
SDFCCM1908	UCG8-19	19	27
SDFCCM2308	UCG8-23	23.25	31.25
SDFCCM2708	UCG8-27	27	35
SDFCCM3208	UCG8-32	32	40
SDFCCM3508	UCG8-35	35	43
SDFCCM4308	UCG8-43	43	51